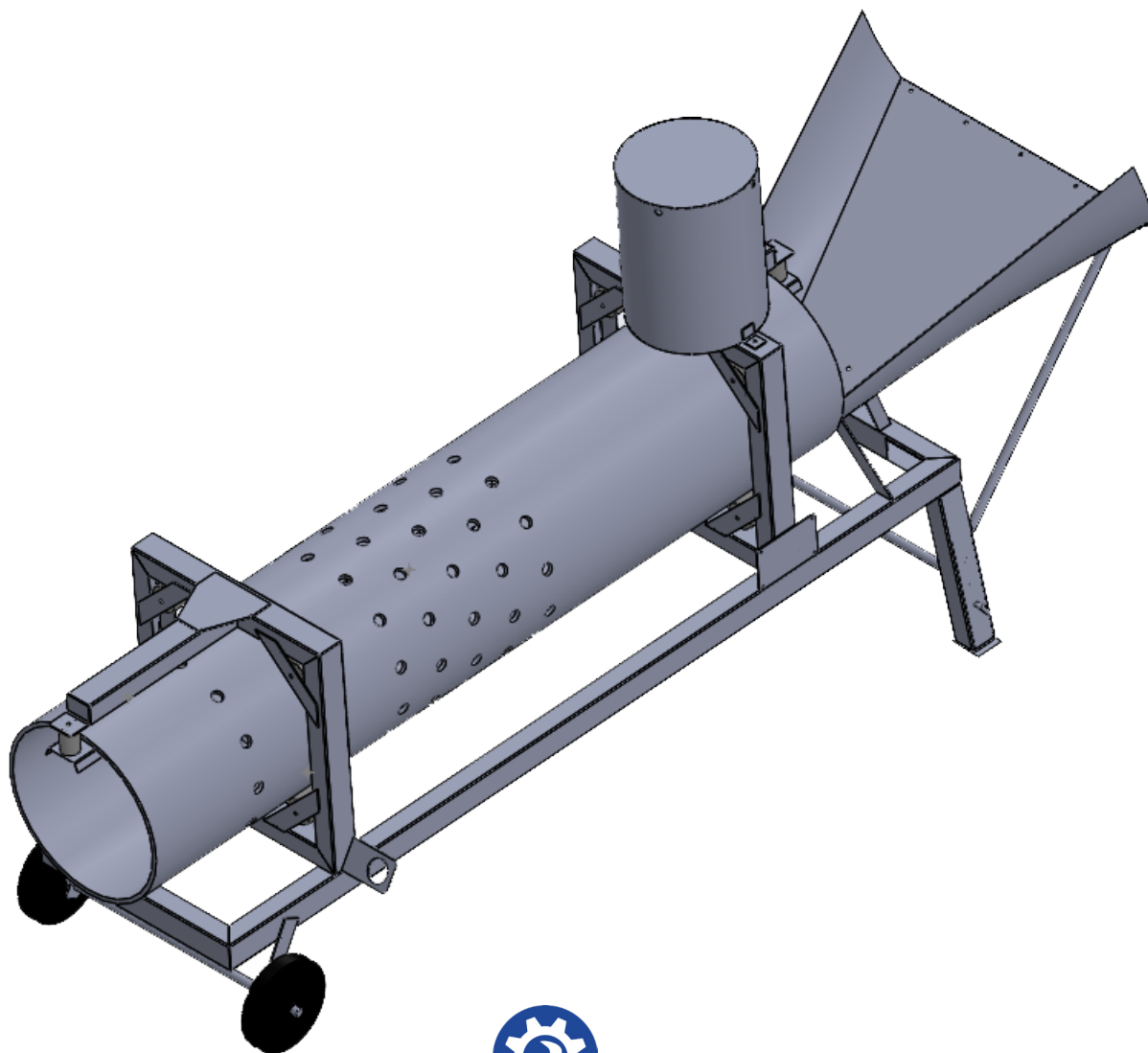




**Ets BERTRAND**  
Machines et fournitures ostrécoles

*Over 60 years of ripened expertise*

## TUBULAR WASHER



DIMENSIONS : 2645x725x1325

WEIGHT : 60 KG

ELECTRIC FEEDING : 380 V

PUMP : 3 TO 5 HP

CAPACITY : ± 1.5 TON / HOUR

STAINLESS STEEL THICKNESS : 1.5 MM

PVC PIPE THICKNESS : 10 MM

» THE TUBULAR WASHER (REF 047300)  
IS DESIGNED TO THE WASHING OF SHELLS (OYS-  
TERS, MUSSELS ETC...)

» THIS TUBULAR WASHER IS DESIGNED TO THE CLEANING OF OYSTERS AND OTHER SHELLS IN BULK THANKS TO A SYSTEM OF WASHING RAMP LOCATED WITHING THE PVC PIPE.

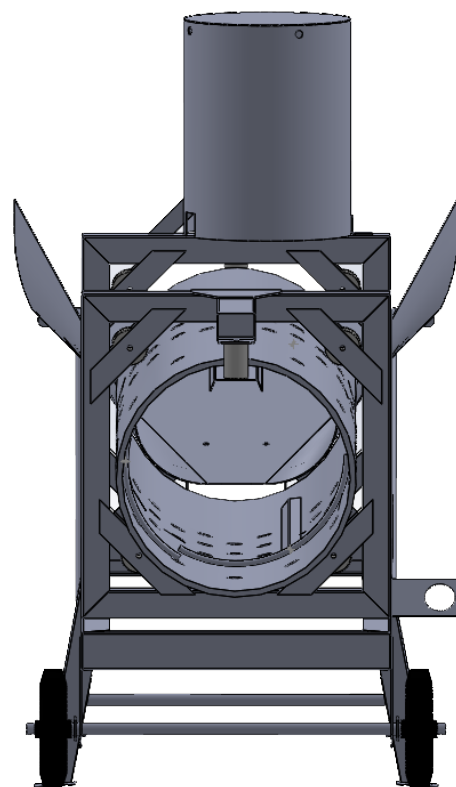
» THE PARTICULARITY OF THIS MODEL IS THE CONTINUOUS ROLLING OF THE PVC PIPE WHICH ENSURES THE PERFECT CLEANING OF SEASHELLS. DIRT IS EVACUATED THROUGH HOLES LOCATED ALL AROUND THE PIPE.

» THIS WASHER, EASY TO USE AND TO MAINTAIN IS SUPPLIED WITH WHEELS ALLOWING HIS MOVE TO PLACES WHERE NEEDED.

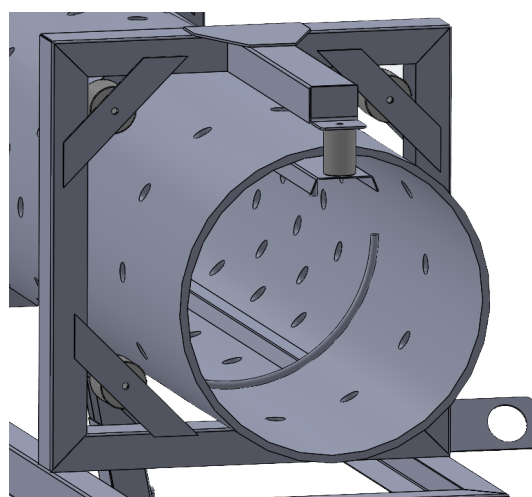
» THE HEIGHT ADJUSTABLE FEET ENABLE VARIOUS RECLINING POSITIONS, ALLOWING THE CONTROL OF WATER FLOW.

» A TALLER MODEL BE SUPPLIED ON DEMAND TO ADAPT THE WASHER TO YOUR PRODUCTION LINE AND OPTIMIZE YOUR WORK CAPACITY.

» THE TUBULAR WASHER IS REALLY RELIABLE AND EASY TO MAINTAIN.



« RODS TURNING AROUND SHELLS ENSURE A SLOWDOWN OF THEIR PASSAGE THROUGH THE PIPE FOR AN OPTIMAL WASHING»



*Rods turning around shells*

SAS BERTRAND ROGER  
La Chainade - 17320 MARENNES  
☎ 05 46 85 00 36  
✉ marennes@ets-bertrand.com

SAS BERTRAND ET FILS  
Port Canal - 33470 GUJAN-MESTRAS  
☎ 05 57 15 23 25  
✉ gujan@ets-bertrand.com

[www.bertrand-ostreiculture.com](http://www.bertrand-ostreiculture.com)