



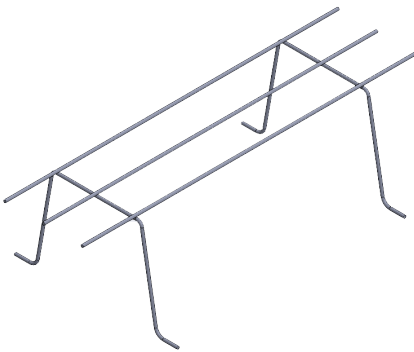
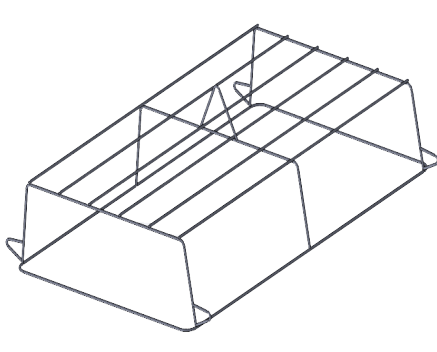
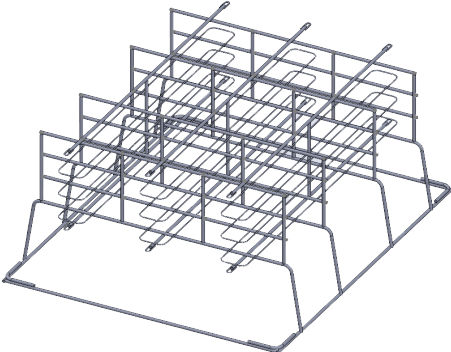
Ets BERTRAND
Machines et fournitures ostréicoles

Over 60 years of ripened expertise

**OYSTER
TABLES & CAGES**

» MANUFACTURER OF OYSTER MACHINERY AND ACCESSORIES, WE DELIVER WORLDWIDE.

» OUR TECHNICAL TEAM IS DEDICATED TO THE STUDY OF YOUR NEEDS AND TO PROVIDE YOU WITH CUSTOMMADE TABLES AND CAGES.







FOR BAGS		
TRADITIONAL TABLES	DOUBLE TABLES	CAGES
		

FOR AUSTRALIAN BASKETS		
SIMPLE TABLES	DOUBLE TABLES	CAGES

FOR DISKS		
SIMPLE TABLES	DOUBLE TABLES	CAGES

RAILS		
RAILS NUMBER	LENGTH	Ø
<input type="checkbox"/> 2	<input type="checkbox"/> 2M50	<input type="checkbox"/> 16 TWISTED
<input type="checkbox"/> 3	<input type="checkbox"/> 3M	<input type="checkbox"/> 16 PLAIN
<input type="checkbox"/> 4	<input type="checkbox"/> OTHER (SPECIFY)	<input type="checkbox"/> 18 TWISTED
<input type="checkbox"/> OTHER (SPECIFY)	<input type="checkbox"/> 20 TWISTED
.....		<input type="checkbox"/> 20 PLAIN

LEGS			
LEGS NUMBER	HEIGHT	Ø	WIDTH
<input type="checkbox"/> 2	<input type="checkbox"/> 50	<input type="checkbox"/> 16 TWISTED	<input type="checkbox"/> 70
<input type="checkbox"/> 3	<input type="checkbox"/> 60	<input type="checkbox"/> 16 PLAIN	<input type="checkbox"/> OTHER (SPECIFY)
<input type="checkbox"/> 4	<input type="checkbox"/> 70	<input type="checkbox"/> 18 TWISTED
<input type="checkbox"/> OTHER (SPECIFY)	<input type="checkbox"/> OTHER (SPECIFY)	<input type="checkbox"/> 20 TWISTED
.....	<input type="checkbox"/> 20 PLAIN	

OTHER TYPES OF LEGS			
	<input type="checkbox"/> STANDARD		<input type="checkbox"/> FORK INT.
	<input type="checkbox"/> ARCACHON		<input type="checkbox"/> FORK EXT.
	<input type="checkbox"/> CROSS	<input type="checkbox"/> OTHER (SPECIFY)	
	<input type="checkbox"/> HOOK		